

IR-B01

Short Wave Infrared Dryer



User Manual for Short Wave Infrared Paint Curing Equipment

– Translation of German Original Document –

EU-Declaration of Conformity According to DIN EN ISO/IEC 17050-1

Manufacturer: B-TEC GmbH
Zunftweg 6-8
D-31303 Burgdorf / Ehlershausen



Herewith, we declare that the devices and marketed models described in the following conform in conception and in design to the relevant fundamental safety and health requirements of the applicable directives. This object of conformity is issued under the sole responsibility of the manufacturer. The object of the declaration is in conformity with the relevant Union harmonisation legislation. If you modify the device without our explicit agreement, this declaration will be invalidated.

Type of equipment: Paint drying equipment

Type designation: **IR-B01**

Serial number: _____

Year of construction: **20**__

Parameters:	Rated voltage:	230 V
	Rated current:	10 A
	Rated frequency:	50 Hz
	Rated power input:	500 W
	Protection class:	I
	Degree of protection:	IPX0

Tested according to:	EN 60335-1/A2:2006
	EN 60335-2-30/A2:2007
	EN 50366/A1:2006

This EU-Declaration of Conformity is issued on a voluntary basis according to the Low Voltage Directive 2014/35/EU relating to electrical equipment designed for use within certain voltage limits. It confirms that the listed equipment complies with the principal protection requirements of the directive.

Responsibility for technical documents: Michael Bellroth, Christian Bellroth
Address: Refer to manufacturer's address

Place, date, signature of manufacturer:
Function of the signer: Managing director

Hannover, 02.01.2020

Table of Contents

1. Important Information	1
1.1. Explanation of the Symbols	1
1.2. Liability and Warranty	1
2. Safety Requirements	2
2.1. Working Area.....	2
2.2. Use.....	3
3. Technical Description and Intended Use.....	3
3.1. Technical Information	4
3.2. Wiring Diagram.....	4
3.3. Spare Parts.....	5
4. Installation.....	6
5. Operating Instructions.....	7
5.1. Curing Times.....	7
6. Maintenance and Care	8
6.1. Replacing Emitter Tube	9
7. Troubleshooting	10

1. Important Information

We thank you for your trust you gave to us by purchasing this B-TEC device. On the type plate at your device you can find the exact type designation and serial-number of your infrared emitter to ensure an uncomplicated service and shipment of spare parts.

The B-TEC devices have been designed and manufactured to the highest quality standards for high operational safety. Due to certain operation processes, there are places and parts that can't be protected without impairing operability and functionality. Therefore we ask you to read this document carefully before using the device in order to achieve maximum operational safety and lifetime. The instructions are an integral part of the product and must be stored with the device.



Read this document carefully before putting the device into operation and keep it for future reference!

B-TEC devices are to be used solely in accordance with the intended use. Usage not in accordance with the intended use as well as unauthorised modifications invalidate the liability of the manufacturer for any damages resulting from this. Detailed information regarding intended use to as well as liability and warranty can be read in section 1.2 and 3.



The B-TEC devices are only to be used according to the intended used. Improper use of the device can endanger the health of the operator.

1.1. Explanation of the Symbols

To directly draw attention to important information in this operating manual, the symbols "Caution!" and "Notice!" are used. Please note that paragraphs with these symbols need particular attention.

Caution!



You will see this symbol whenever attention is drawn to situations in which danger to life can arise due to or during incorrect or improper operation. Pay special attention to these symbols and act carefully.

Notice!



You will see this symbol in the operating manual whenever your attention is being drawn to correct work procedures, economic ways of operating or when the devices may be damaged by incorrect operation.

1.2. Liability and Warranty

The infrared dryer is state of the art, tested and operationally safe. Liability for the function of the device is transferred to the operating company, if the device is improperly maintained or repaired by persons who are not authorised by the manufacturer and / or supplier, or if it's used against the intended use and the instructions of the user manual. The operator is obliged to operate the device only when in immaculate condition. The manufacturer is liable for errors or omissions - to the exclusion of further claims - only within the scope of the statutory warranty obligations. We reserve the right to make technical changes any time for continuous development and improvement of our products. Such changes, mistakes and misprints do not constitute a claim for damages. Only original spare parts and accessories are to be used. The manufacturer and / or supplier is not responsible for damages caused by ignoring the instructions in this operating manual. Warranty and liability conditions of the manufacturers and / or supplier sales and delivery terms are not extended by the above notes.

B-TEC warrants its products to be free from defects in materials and workmanship, for a period of 24 months on a one shift basis. In case of exceptional usage such as multiple-shift operation, the statutory warranty is shortened to 12 months (two-shift operation) or 8 months (three-shift operation). The period starts from the date the device is shipped from the factory. Emitter tubes are excluded from warranty. The guarantee expires prematurely if the customer or a third party undertakes inappropriate modifications or repairs or if the customer, in case of a defect, does not immediately take all appropriate steps to mitigate the damage and give the supplier the possibility of remedying such defect.

2. Safety Requirements



The manufacturer is not liable for damages caused by changes of the device that have not been specifically authorised by the manufacturer. The removal or alteration of safety devices immediately voids the warranty and is an infringement of European safety standards.

The device is built according to the state of the art and can be operated safely. However, this does not mean that the consequences of all operational failures are protected by technical measures. Dangers can arise from this device if it is used improperly or incorrectly. However, additional organizational measures have to be taken into account through certain workflows.

The manufacturer is not reliable for damages caused by the following situations:

- Disregarding the instructions described in the operating manual.
- Changing technical product parameters.
- Changing or disabling safety facilities.



Read the operating instructions and safety requirements carefully before putting the device into operation and follow the instructions carefully!

2.1. Working Area

- It is not allowed to use this device in an explosive or combustible environment; otherwise it may lead to fire.
- In case the device is used in a spray booth, the air must be exchanged/purified before use.
- Be careful of uneven floor when moving the device to avoid any overturn.
- Avoid any accident caused by random placement and dark lights. Please keep the site clean with enough light.
- Do not use this device when it is rainy or damp. Water coming into the device may lead to electric shock or damage to the device.
- For outdoor use, please use the outdoor-specific cables marked with “W- A” or “W” for avoidance of electric shock.
- Do not use this dryer in wet areas such as bathrooms or swimming halls. Keep the working site dry.
- Keep the working area clean and free of any obstructions, oil, waste article or other broken parts.

2.2. Use

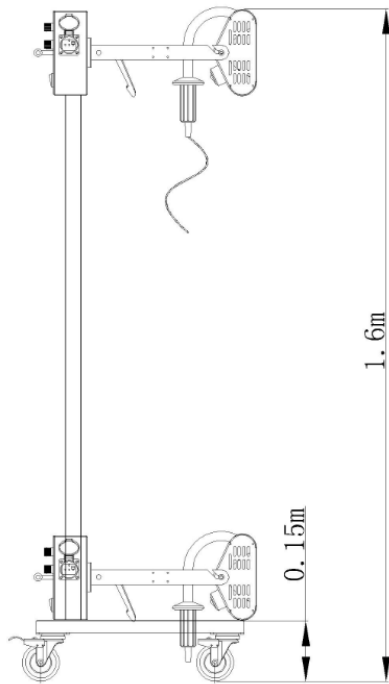
- The operator is not allowed to operate the device after consuming alcohol or drugs, otherwise miss- operation of this device may lead to serious injury and even death.
- Proper Dressing: It is not allowed to wear too loose clothes and accessories. Please bind your hair if it is too long.
- Avoidance of Accidents: make sure that the power switch is closed when connecting with the power supply. The opened switch may result in accident.
- When the device is started, wrenches or any adjusting tools should be avoided to touch the live part of the device, which may result in electric shock.
- Any unconscious start of this device should be avoided.
- When you leave, make sure the power is shut down and unplugged.
- It is not allowed to knock or crash the equipment.
- It is not allowed to insert any hard object into the emitter.
- Before using remove any part of the packaging.
- Remove all objects in front of the pipe before starting.
- Persons should avoid the area 4 meters in front of the emitter tube. If necessary, protective equipment should be provided.
- This device should not be pointed at staff or highly flammable substances.
- Do not move the device during operations or shortly after. It can lead to premature failure of the emitter. Wait until emitter tube is cooled down.
- Do not cover the dryer in order to avoid overheating and fire. Do not use the dryer close to curtains and other combustible materials.
- Ensure that emitter tube cassettes are not pointed at each other.
- Don't misuse the electric wire. It is not allowed to drag the device with the power wire or pull the power plug. Please keep the power wire away from the hot, oily or sharp or movable objects. Please replace the damaged cables and wires as soon as possible for avoidance of electric shocks.

3. Technical Description and Intended Use

The short-wave infrared paint dryer is designed for curing of car body paintwork. The device offers high material penetration, short curing times, long service life and high performance. It's movable, portable and convenient.

- 2-Stage drying (Flashlight / Continuous).
- Flexible 360° maneuvering or portable for using while holding with one hand.
- The height is adjustable from 15 cm to 160 cm.
- Curing time can be set via electronic timer.

3.1. Technical Information



Input current	10 A
Input voltage	230 V - 50/60 Hz (1PH)
Max. power	1 x 500 W
Curing area	400 x 300 mm
Curing time	1 - 35 min
Temperature	60°C - 70°C
Dimension (W x H x L)	700 x 1550 x 580 mm
*Max. overall height with cassettes: 1600 mm	

3.2. Wiring Diagram

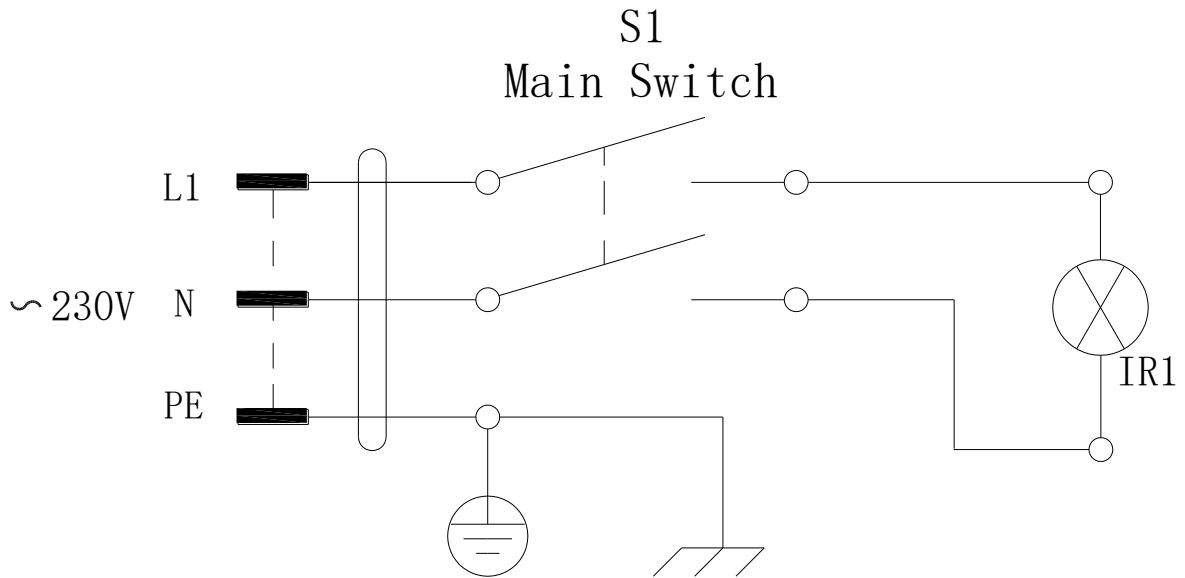
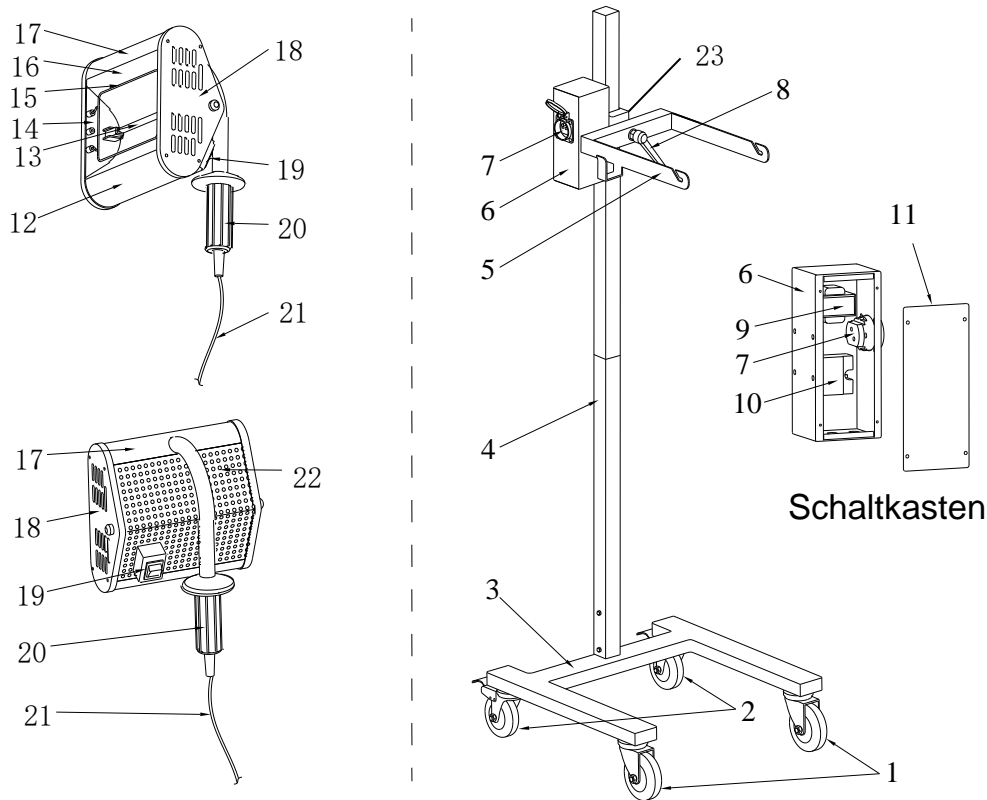


Figure 3-1 – Wiring Diagram

– Technical changes and errors reserved. All pictures similar –

3.3. Spare Parts



IR-B01					
No	Name	Art-No	No	Name	Art-No
1	Swivel castor without brake	10000146	13	Infrared tube	10000153
2	Swivel castor with brake	On request	14	Small reflector plate	On request
3	Stand	10000955	15	Protective grid	On request
4	Column	On request	16	Big reflector plate	On request
5	U-Shape support	On request	17	Cover plate with handle	On request
6	IR-B01 control unit with timer, mainboard and holder	10000190	18	Side cover of emitter	10000165
	Mainboard	10000147	19	On/Off Switch	10001119
7	Power connector	On request	20	Handle	On request
8	Toggle big	10000157	21	Electric cable 3 x 1 incl. Plug	10001337
9	Transformer 230V/500mA	On request	22	IR-B01 cassette with hand piece	10000195
10	Relay 10A	10000174	23	Locking ring	On request
11	Cover control box	On request		Knob for Timer	10001252
12	Cover plate	On request			

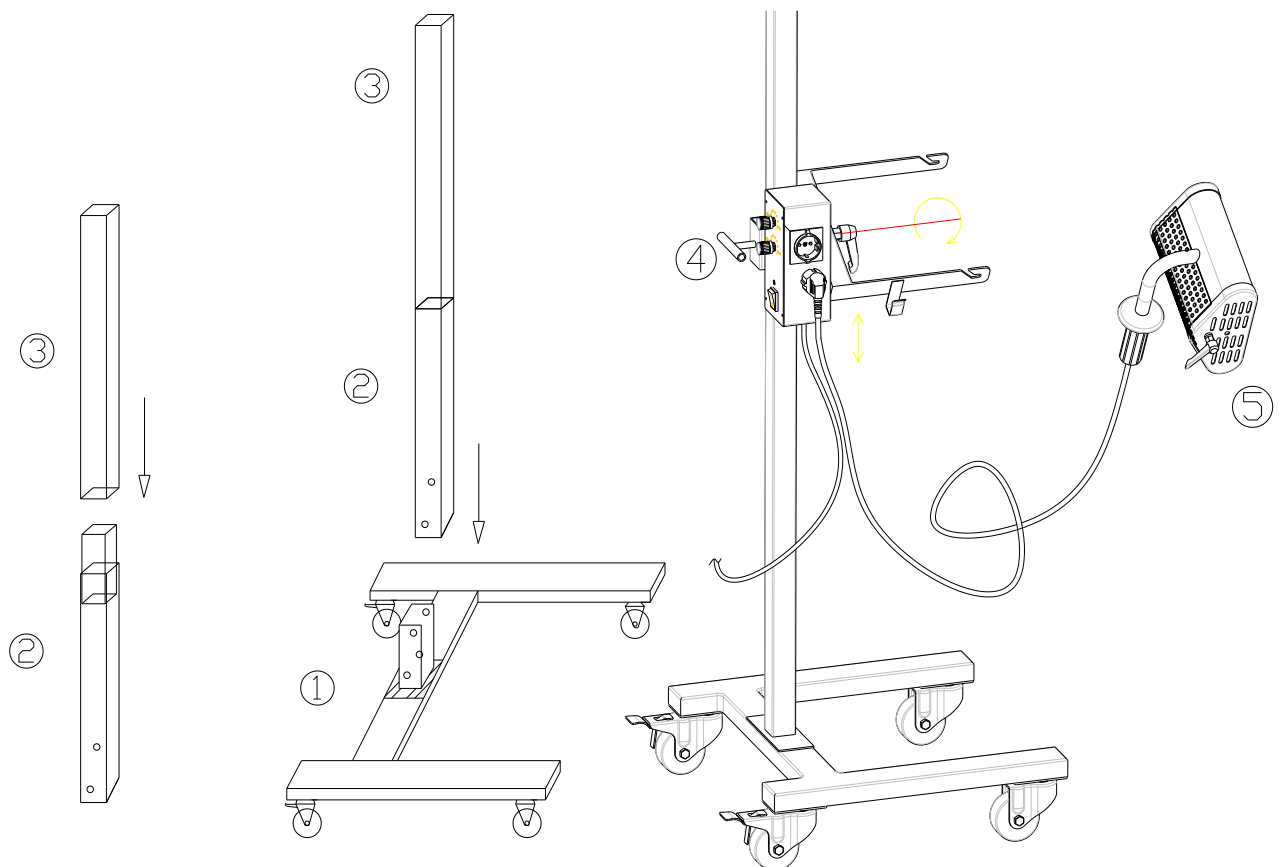
– Technical changes and errors reserved. All pictures similar –

4. Installation

1. Connect the upper part ③ of the vertical column to the lower part ②.
2. Take out the pedestal ① and connect it to the vertical column. Tighten the bolts.
3. Fix the locking ring ④ onto the vertical column.
4. Connect the emitter cassette ⑤ with the u-shaped support to the locking ring. Tighten the toggles.
5. Connect power wire.
6. Remove the sticker from the protection cover.
7. Remove the red foam cubes behind the tube.

Notes:

- Power supply: 10 A, 1 PH 230V/50Hz
- The device has to be protected by a 16-Ampere-fuse. A fuse with characteristic C for high starting currents is recommended.
- When adjusting the height of lamp cap, use your left hand to support the lamp cassette and your right hand to loosen the handle of the locking ring ④. Then move the cassette with your two hands supporting the two ends of the lamp cassette. Don't operate by using one hand only to avoid any damage to the lamp tube due to dropping.



– Technical changes and errors reserved. All pictures similar –

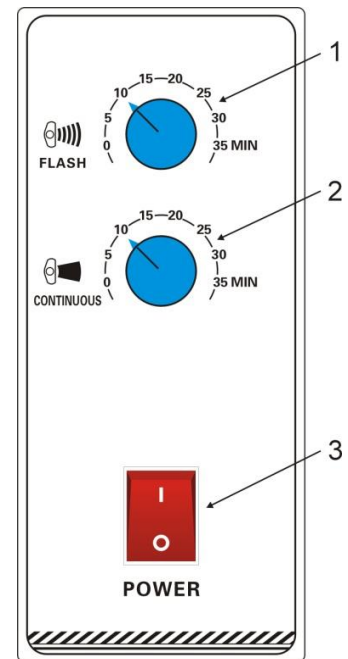
5. Operating Instructions

Notes:

- Do not touch the lens cap during and after curing to avoid burns.
- The device has a pre-heating function which allows a slow increase of the paintwork temperature. This may help to avoid matted and cracked surface of the paintwork due to too high temperature. It is a normal phenomenon that tubes are twinkling when pre-heating function is used.

1. Choose the optimal distance between emitter and car body. The optimal distance is approximately 30 – 50 cm.
2. Adjust the direction of the emitters. They emitter tubes have to be parallel to the car body.
3. Tighten the toggles and activate the brakes of the rear wheels to avoid any accident due to unintended movements of the device.
4. Set pre-curing (Flashlight) time (1). Depending on material choose between 1 - 35 minutes. Set to 0 minutes, if no pre-curing required.
5. Set full-curing (Continuous) time (2). Depending on material choose between 1 - 35 minutes. Set to 0 minutes, if no full-curing required.
6. Turn on the power switch (3).
7. When the time is up the device shuts down. The restart switch the device off and start again.

If you don't want use the pedestal, you can plug the wire of the emitter directly to the power supply socket. In that case you can't use the timer or the flashlight function.



5.1. Curing Times

The quality of the drying result highly depends on the share of pre-curing time in the total curing time. The higher the share of pre-curing (flashlight), the better might be the drying result. Too fast drying may lead to small pores / bubbles. As reference value a ratio of 1/3 pre-curing (flashlight) to 2/3 full-curing (continuous) is recommended. All values are reference values. For exact values please contact your paint supplier.

Material / Paint type	Total curing time in minutes
Putty	5-6
Filler	6-7
Primer	6-8
Water base	5
Base coat	6-10
Top coat	8-12
Clear coat	7-12
Filler on plastic	9-12
Top coat on plastic	17-19
Clear coat on plastic	17-19

6. Maintenance and Care

- Regular cleaning of tubes and reflector plate should be done by using a piece of soft cloth or cotton with alcohol (Note: cleaning must be done after the device is disconnected from power supply and cooled down). Don't start the device until the alcohol has evaporated, otherwise it may lead to ignition.
- The device has to be protected by a 16-Ampere-fuse. A fuse with characteristic C for high starting currents is recommended.
- The device should be well grounded for safety. The grounding device should be connected to the proper output port under correct direction. Unauthorized alteration or change of output port is strictly prohibited. Use of any outlet converter is also not permitted. For any uncertainty, please find a professional electrician to check whether the grounding is correct. Please make sure the device is well grounded to avoid electric shocks.
- If the cable is damaged, contact the manufacturer, service provider or a professional to replace it in order to avoid injuries and accidents. Please replace damaged cables and power lines as soon as possible to avoid electric shocks.
- For replacing an emitter tube, ask the repair service center or a technician to do so.
- If an emitter tube does not start working, it may result from a loose socket/cable. Switch off the device and check the sockets.

6.1. Replacing Emitter Tube

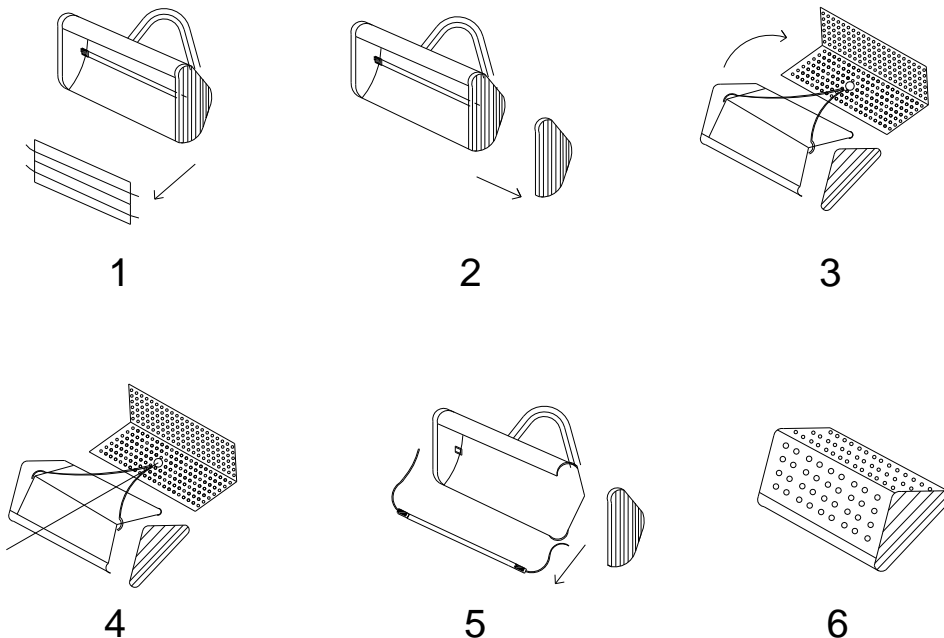


Interrupt the power supply, before replacing the infrared tube!

Do not touch the reflector or the new IR tube with your fingers. Only remove the protective paper on the IR tube when it's finally installed.

1. Remove the protective grid of the emitter.
2. Loosen the screws on the side cover of the cassette and remove it.
3. Release heat dissipating plate.
4. Disconnect the cables of the tube.
5. Remove the old tube and replace it by a new tube.
6. Reassemble in reverse order.

Use a piece of soft cloth or cotton to clean the reflector plate and the tube with alcohol. Cleaning must be done after the device is disconnected with the power and cooled down. Don't start the device until the alcohol has evaporated, otherwise it may lead to ignition.



7. Troubleshooting

Issue	Possible cause	Possible solution
Uneven curing	<ul style="list-style-type: none"> • Emitter not properly pointed/adjusted to the curing surface 	<ul style="list-style-type: none"> • Adjust emitter properly to the curing surface
Small pores (bubbles) on the cured surface	<ul style="list-style-type: none"> • Emitter too close to curing surface • Curing too fast • Paint with fast thinning agent 	<ul style="list-style-type: none"> • Increase distance • Increase pre-curing time • Use standard or slow thinning agent
Poor curing or transparent coating	<ul style="list-style-type: none"> • Emitter too far away from curing surface • Curing time too short • Paint layer too thick 	<ul style="list-style-type: none"> • Decrease distance • Increase full-curing time • Apply thinner paint layer
Stains	<ul style="list-style-type: none"> • Full-curing time too long • Emitter too close to curing surface 	<ul style="list-style-type: none"> • Decrease full-curing time • Increase distance
Fuzzy edges	<ul style="list-style-type: none"> • The painted surface area is too large for the infrared emitter 	<ul style="list-style-type: none"> • Curing in two steps • Move device for second curing step • Pre-curing only for first step. Do not use pre-curing for second step.

For optimal curing performance, we recommend to work out the optimal operating procedures, curing times and distances according to the local natural conditions, working environment and the types of paints used.

Above specifications, drawings or diagrams are descriptive and subject to revision. If there are any discrepancies or changes, actual products shall prevail without otherwise notification.